

Low Voltage Fuses (LV Fuses)

LFR15XL2(1500 VDC) Series



Key Features

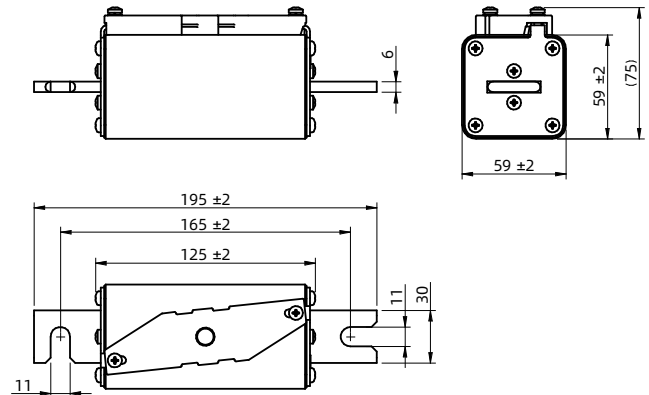
- Rated Voltage: 1500 VDC
- Breaking Capacity: 250 kA
- Fusing Characteristics: High Speed Fuse
- Utilization Category: aR / aBat
- Good Current Limiting Capability
- Body Size: 125 x 59 x 75 mm (2#)
- RoHS and REACH Compliant, Pb Free

Applications

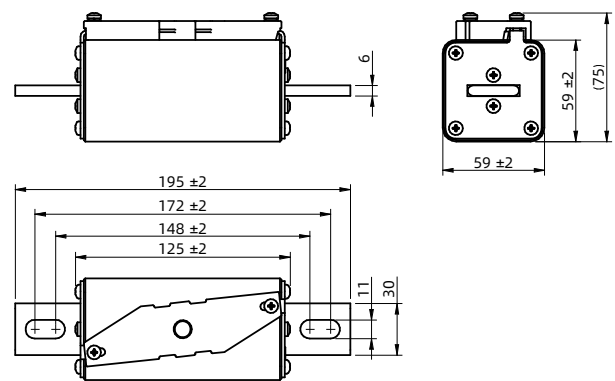
- Battery Energy Storage System (BESS)
- Power Conversion Systems
- DC Common Bus Systems
- Hybrid PV-BESS Inverters
- Industrial Heaters and Welding Equipment
- Metal Processing Equipment

Dimensions (mm)

Mounting: BB (Bolt Blade)

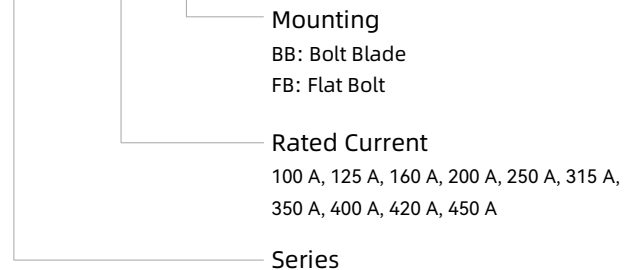


Mounting: FB (Flat Bolt)



Part Numbering System



LFR15XL2 - 450A - BB



Agency Information

Rated Current I_n (A)	Agency Symbol	Standards	The File No. and certification No. obtained by SETsafe SETfuse	Utilization Category
100 ~ 450		UL 248-13	E532248	aR
100 ~ 450		EN IEC 60269-4	R 50575022	aR
		EN IEC 60269-7	R 50575074	aBat

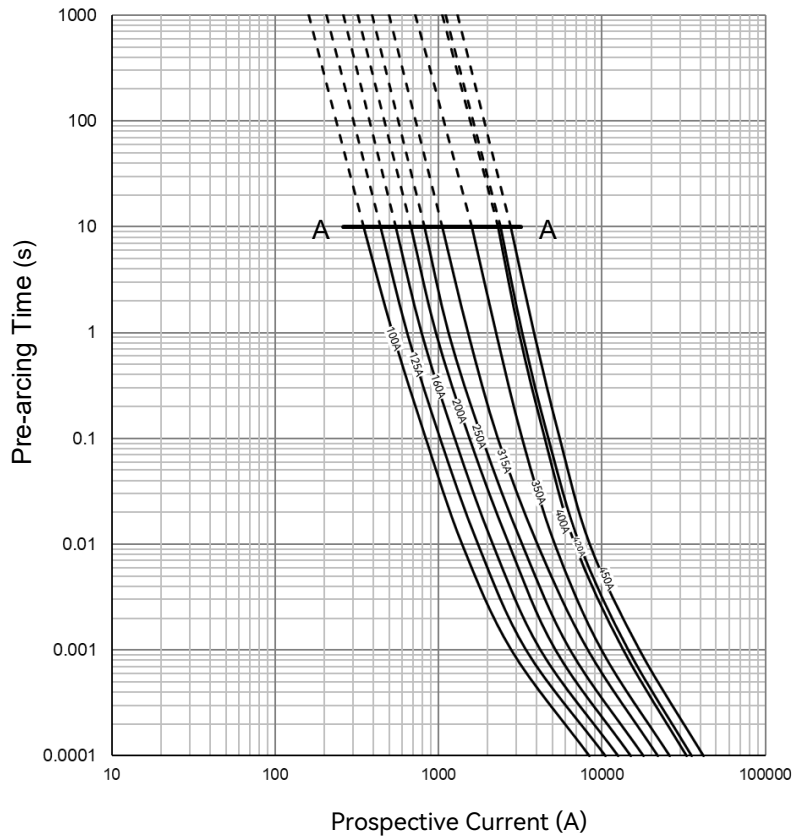
Specifications

Model	Rated Current I_n	Rated Voltage U_n	Breaking Capacity I_1	Pre-arcing I^2t	Clearing I^2t	 cURus		RoHS REACH Pb free
	(A)	(VDC)	(kA)	(A ² s)	(A ² s)	cURus	TUV	
LFR15XL2-100A-BB	100	1500	250	1500	4600	●	●	●
LFR15XL2-100A-FB	100	1500	250	1500	4600	●	●	●
LFR15XL2-125A-BB	125	1500	250	2700	8400	●	●	●
LFR15XL2-125A-FB	125	1500	250	2700	8400	●	●	●
LFR15XL2-160A-BB	160	1500	250	4200	12300	●	●	●
LFR15XL2-160A-FB	160	1500	250	4200	12300	●	●	●
LFR15XL2-200A-BB	200	1500	250	8050	24350	●	●	●
LFR15XL2-200A-FB	200	1500	250	8050	24350	●	●	●
LFR15XL2-250A-BB	250	1500	250	15200	48400	●	●	●
LFR15XL2-250A-FB	250	1500	250	15200	48400	●	●	●
LFR15XL2-315A-BB	315	1500	250	32340	114600	●	●	●
LFR15XL2-315A-FB	315	1500	250	32340	114600	●	●	●
LFR15XL2-350A-BB	350	1500	250	50200	165200	●	●	●
LFR15XL2-350A-FB	350	1500	250	50200	165200	●	●	●
LFR15XL2-400A-BB	400	1500	250	77300	219000	●	●	●
LFR15XL2-400A-FB	400	1500	250	77300	219000	●	●	●
LFR15XL2-420A-BB	420	1500	250	82500	258000	●	●	●
LFR15XL2-420A-FB	420	1500	250	82500	258000	●	●	●
LFR15XL2-450A-BB	450	1500	250	88700	276000	●	●	●
LFR15XL2-450A-FB	450	1500	250	88700	276000	●	●	●

Note:

1. "●": Certificated, RoHS and REACH Compliant, Pb Free.
2. Recommended Installation Method: Recommended Torque: 21 N·m (M10 Bolt).

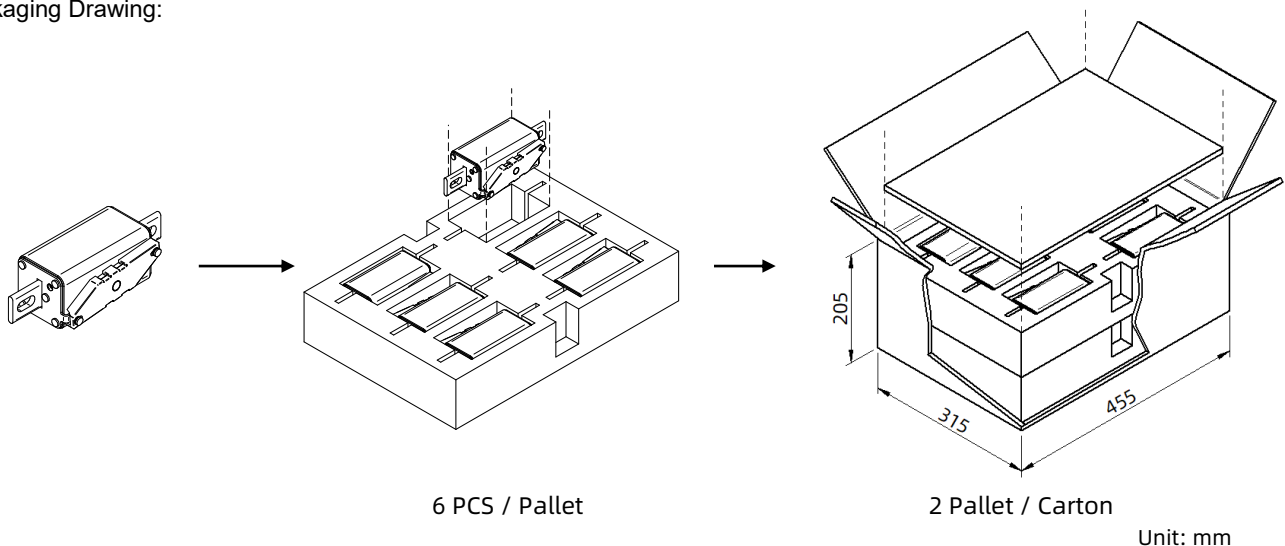
Time-Current Characteristics (For Reference Only)



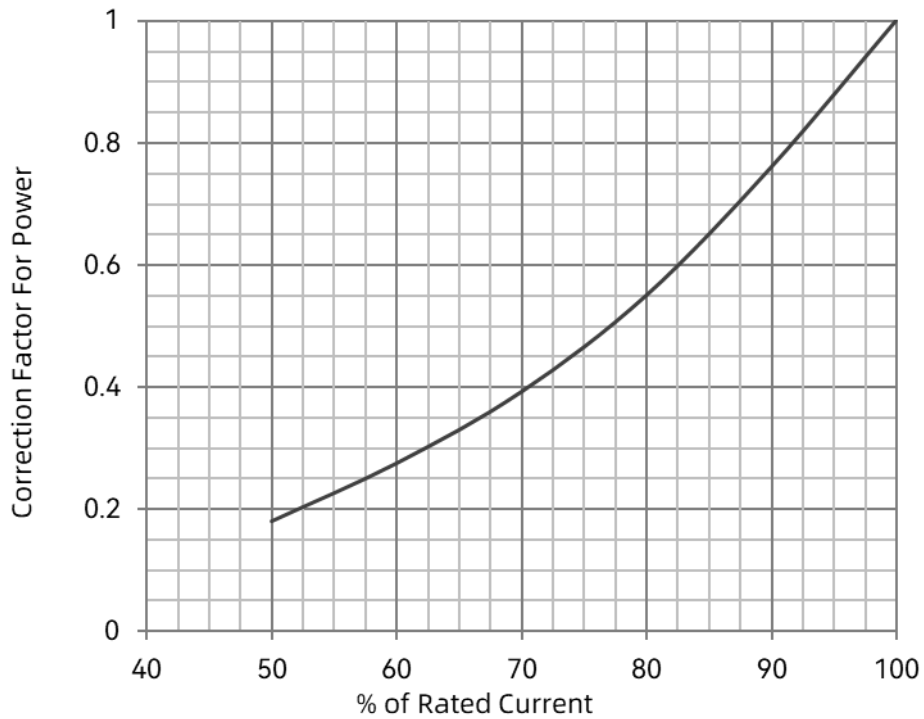
Packaging

Item	Pearl Cotton Pallet	Carton
Product Quantity (PCS)	6	12
Weight	1.3×(1±10%) kg/PCS	16.6×(1±10%) kg/Carton

Packaging Drawing:

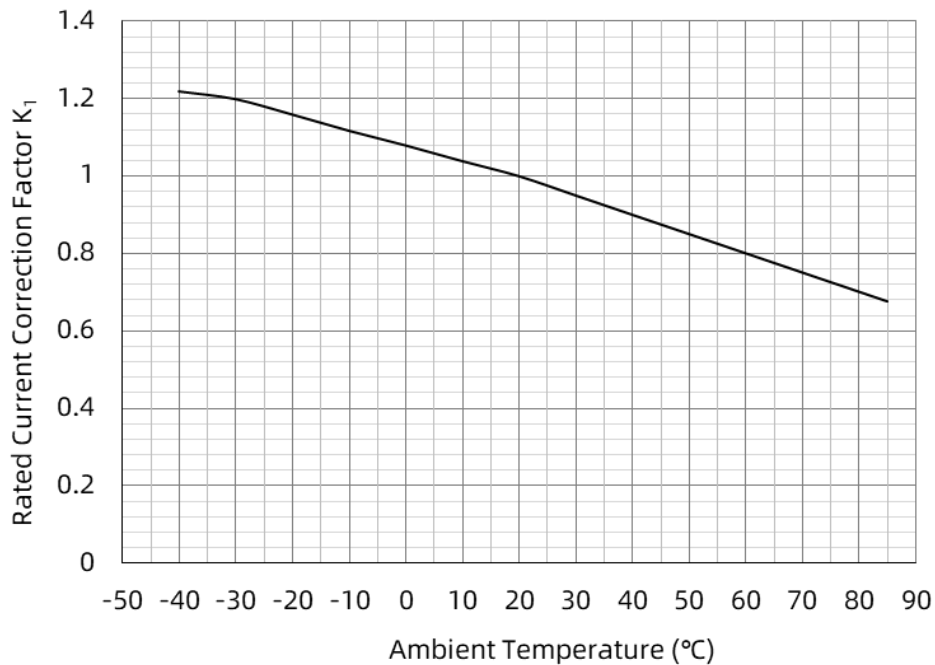


Power Dissipation Curve (For Reference Only)



Rated Current Derating Curve

Ambient Temperature (For Reference Only)

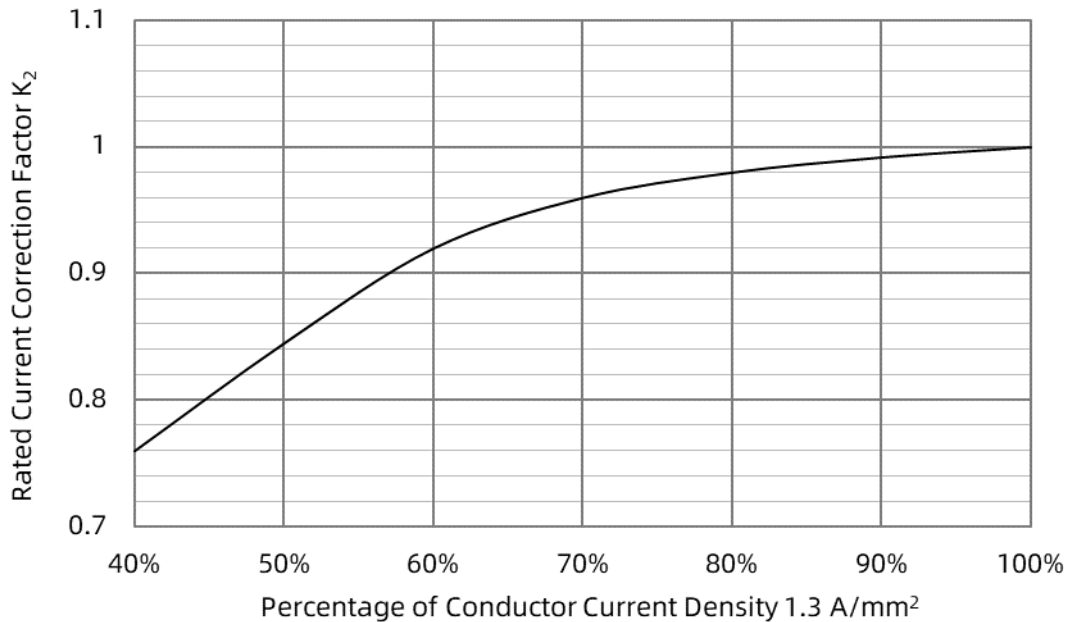


Low Voltage Fuses (LV Fuses)

LFR15XL2(1500 VDC) Series

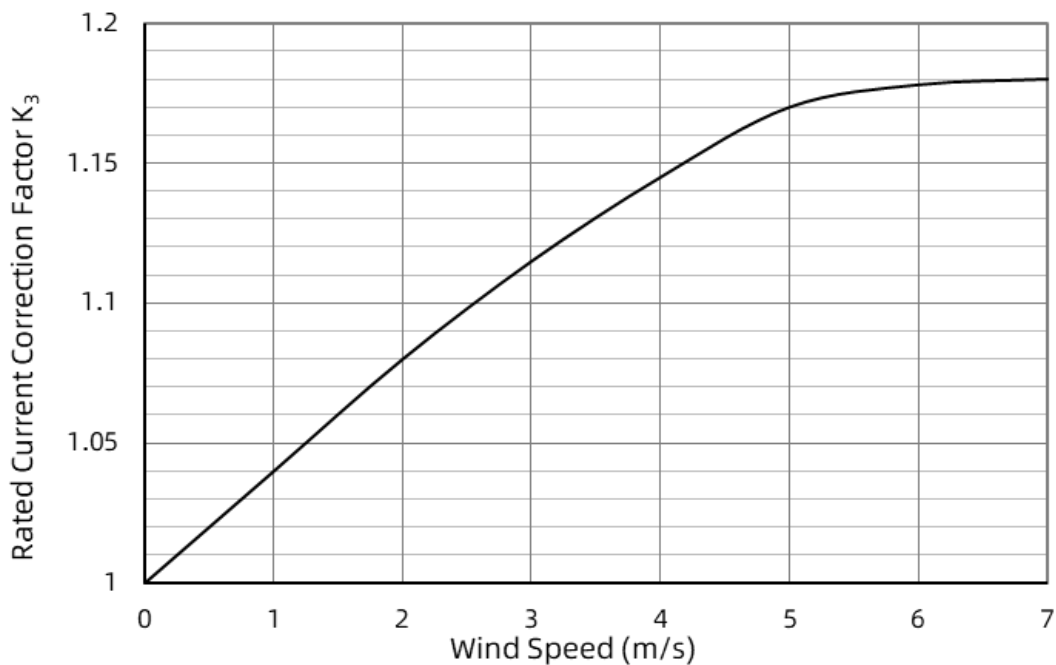
Connecting Conductor (For Reference Only)

The current density of copper bar for fuse installation is suggested to be 1.3 A/mm². If the carrying current density of copper bar is greater than 1.3 A/mm², it is recommended to reduce the rated current of fuse appropriately.



Cooling Air (For Reference Only)

When the fuse operates in the environment with cooling air, the rated current value of the fuse needs to be corrected.



Altitude (For Reference Only)

Altitude (m)	Derating Factor K_4
2000	1.000
2500	0.975
3000	0.950
3500	0.925
4000	0.900
4500	0.875
5000	0.850

Rated Current:

$$I_n \geq \frac{K_0 I_c}{K_1 K_2 K_3 K_4 K_5}$$

I_c — Long-term continuous operating current

K_0 — Reliability factor: 1.25 (Reference DLT 5044-2014)

K_1 — Ambient temperature correction factor

K_2 — Correction factor for connecting conductors

K_3 — Cooling air correction factor

K_4 — Altitude correction factor

K_5 — Closed environment correction factor, for the better heat dissipation conditions of the box to take 0.9 ~ 0.95, while for the poorer take 0.8



ATTENTION

Replacement

The fuse is a non-resettable product, for safety reasons, please ensure that the spare fuse is same model.

Installation Position

Do not install the fuse on an assembly that may often subject to severe continuous vibration or with corrosive gases (NH₃, SO₂, Cl₂ etc.).

Transportation

During packaging and transportation, rain and snow and mechanical damage shall be avoided.

Storage Conditions and Effective Date

- Storage temperature: 10 ° C~30 ° C.
- Storage humidity: 30%~70%.
- Sealed in a place with no sunshine no pollution and without corrosive gases(NH₃,SO₂,Cl₂, etc.).
- Validity period: 12 consecutive months after you receive it.

Glossary

Item	Description
Fuse	Device that by the fusing of one or more of its specially designed and proportioned components opens the circuit in which it is inserted by breaking the current when this exceeds a given value for a sufficient time. —(IEC 60269-1)
Rated Current of a fuse-link I_n	Value of current that fuse-link can carry continuously without deterioration under specified conditions. —(IEC 60269-1)
Prospective Current (of a circuit and with respect to a fuse)	Current that would flow in the circuit if each pole of the fuse were replaced by conductor of negligible impedance. —(IEC 60269-1)
Rated Voltage U_n	A maximum open circuit voltage in which a fuse can be used, yet safely interrupt an overcurrent. Exceeding the voltage rating of a fuse impairs its ability to clear an overload or short circuit safely. —(IEC 60269-1)
Ampere Squared Seconds I^2t	The melting, arcing, or clearing integral of a fuse, termed I^2t , is the thermal energy required to melt, arc, or clear a specific current. It can be expressed as melting I^2t , arcing I^2t or the sum of them, clearing I^2t . —(IEC 60269-1)
Time-current Characteristics	Current giving the time, e.g. pre-arcing time or operating time as a function of the prospective current under stated conditions of operation. —(IEC 60269-1)
Breaking Capacity	Value of prospective current that a fuse is capable of breaking at a stated voltage under prescribed conditions of use and behavior. —(IEC 60269-1)
Breaking Range	Breaking range is a range of prospective currents within which the breaking capacity of a fuse-link is assured. —(IEC 60269-1)
Pre-arcing Time / Melting Time	Interval of time between the beginning of a current large enough to cause a break in the fuse-element(s) and the instant when an arc is initiated. —(IEC 60269-1)
Arcing Time	Interval of time between the instant of the initiation of the arc in a fuse and the instant of final arc extinction in that fuse. —(IEC 60269-1)
Operating Time / Total Clearing Time	Sum of the pre-arcing time and the acting time. —(IEC 60269-1)
Power Dissipation (in a fuse-link)	Power released in a fuse-link carrying a stated value of electric current under prescribed conditions of use and behavior. —(IEC 60269-1)
Correction Factor of Rated Current	When the application environment and working conditions exceed in the conditions specified in the standard, for the purpose of matching the working current and long service life of the fuse, the rating of fuse should be corrected by a correction factor. Consult the fuse manufacturer for specific application recommendations. —(IEC 60269-1)
Cut-off Current	Maximum instantaneous value reached by the current during the breaking operation of a fuse-link when it operates in such a manner as to prevent the current from reaching the otherwise attainable maximum. —(IEC 60269-1)
Cut-off Current Characteristic/ Let-through Current Characteristic	Curve giving the cut-off current as a function of the prospective current under stated conditions of operation. —(IEC 60269-1)